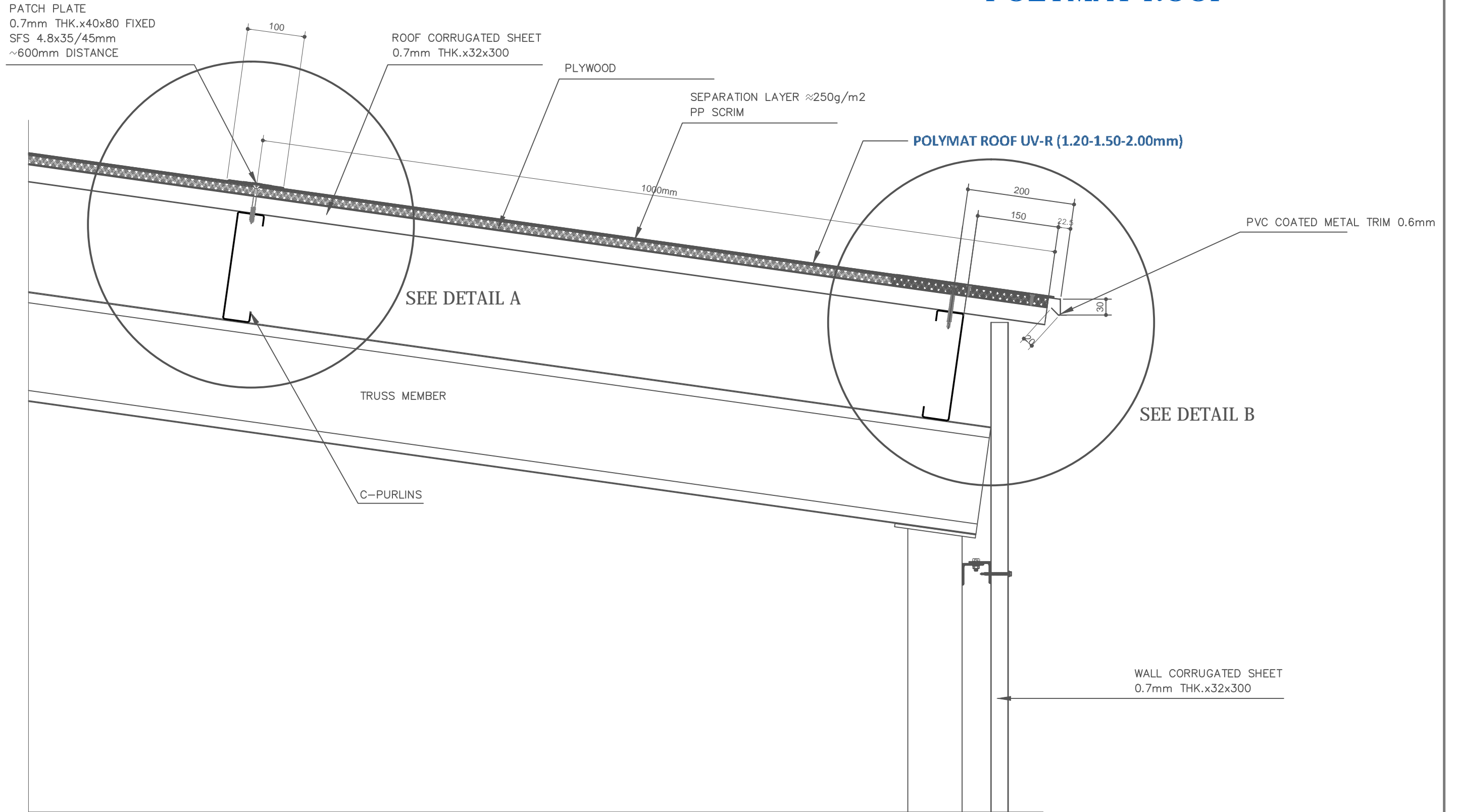


# POLYMAT ROOF



INDUSTRIAL ROOF (PEB STRUCTURES) : REFURBISHMENT SYSTEM **POLYMAT ROOF UV-R**